



## MATERIAL DATA SHEET

### Description / Specification:

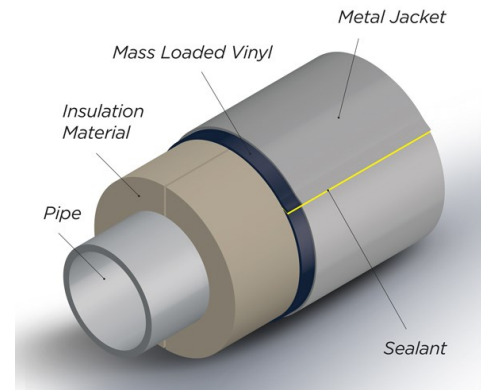
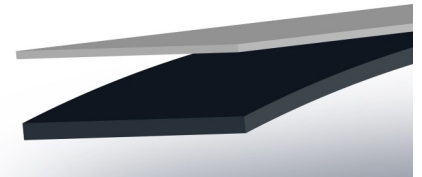
SoundMet acoustic insulation jacketing is an innovative metal jacketing developed by BS Stainless Limited. In SoundMet, the base metal and the mass loaded vinyl (MLV) acoustic barrier are bonded together to provide superior acoustic damping in insulated pipelines.

Most popular base metals are stainless steel and Aluminium. Other metals like Aluzinc and Aluminised steel can also be supplied if requested. The sound barrier is MLV loaded with Barium Suptate minerals. The jacketing is an effective system for all classes of acoustic insulation.

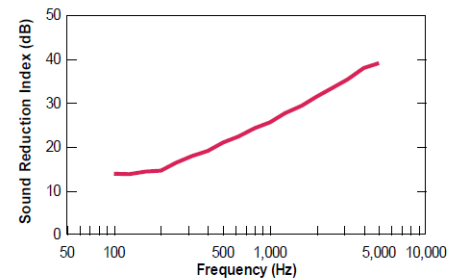
Mean Sound Reduction Index: 25 dB

SoundMet with enhanced properties of MLV is also available on request:

- 🔊 SoundMet Low Temp: Retains superior acoustic properties even at  $-58^{\circ}\text{F}$  ( $-50^{\circ}\text{C}$ )
- 🔊 SoundMet Fire: High Fire Rating



Sound Reduction Index, 5kg/m<sup>2</sup>  
BS EN ISO 10140-2 Free Hanging Curtain  
R<sub>w</sub> (C;Ctr)=25 (0;-3) dB



Physical Properties (MLV)	
Colour	Black
Hardness	85 Shore A
Weight	5 Kg/m <sup>2</sup> (1.0 lb/ft <sup>2</sup> )
	7.5 kg/m <sup>2</sup> (1.5 lb/ft <sup>2</sup> )
	10 kg/m <sup>2</sup> (2 lb/ft <sup>2</sup> )
Tensile Strength	1.5MPa
Elongation at Break	125%
Oil Resistance (2hrs @800C) Diesel oil	Shrinkage <3 % no loss of Integrity
Engine oil	Shrinkage < 3% no loss of integrity
Flammability	FMVSS 302 Self – Ex- tinguishing
	ISO 3795 B< 1.7mm/s
Operating Temperature	-20°C to +93°C

### Benefits to insulation system:

- Excellent sound damping
- Prevents moisture ingress
- Improved seal at overlaps
- Minimises slippage of vinyl in vertical installations
- Corrosion resistance
- Quicker application
- Labour saving



GLOBALLY SUPPLIED QUALITY

